

# Dome rooflight type AIRLUX

**VELUX®**
**Commercial**


For rain-proof fan ventilation

## AIRLUX I

Tangential-rolling ventilator

### Technical data

- displacement volume (free-blowing): 230 m<sup>3</sup>/h
- motor speed: 1,600 min<sup>-1</sup>
- protection class: IP 00
- acoustic pressure: 50 dB/A
- voltage: 230V AC / 50Hz
- output: 45 W
- power consumption: 0,35 A

### Exhaust device

- for small up to medium displacement volume
- designed for the use in dry rooms  
(only suitable for industrial applications)

Installation takes place in the factory in the GRP upstands from up to 30 cm height. If requested it is also possible to install more rolling ventilators. A combination with heat insulated flange design is possible for 50 cm high GRP upstands. Operation takes place with an under plaster time control switch with locking device (accessories).

#### Note:

AIRLUX I and II are available with all dome rooflight variants.

## AIRLUX II

Axial ventilator

### Technical data

- displacement volume (free-blowing): 670 m<sup>3</sup>/h
- motor speed: 1,250 min<sup>-1</sup>
- protection class: IP 44
- acoustic pressure: 54 dB/A
- voltage: 230V AC / 50Hz
- output: 45 W
- power consumption: 0,3 A
- high-volume device for ventilation and as well for exhaust, because the ventilator is reversible (rotation direction)

The complete installation is made in the factory, including electric operating and automatic closing louvre in GRP upstands with 50 cm height. If requested it is also possible to install more axial ventilators in an upstand. A combination with heat insulated flange design is not possible. The operation can take place with a stepless adjustable, electronic upon plaster speed regulator with reverser (accessories), that enables reversal of direction.

#### Note:

For the assembling it is important that an adequate distance to the water-bearing level is realized on site.

1.1.1  
TOP-90

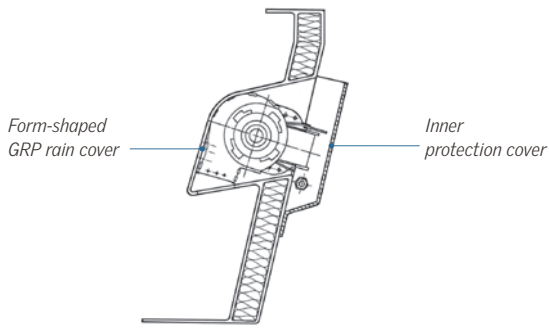
1.1.2  
TOP-90 PLUS

1.1.3  
TOP-90  
sound reduction

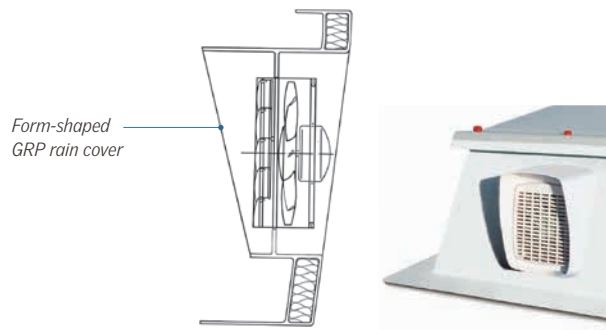
1.4.1  
Dome rooflight safety  
concept

1.4.5  
LK-DDS

## AIRLUX I



## AIRLUX II



### Combinable variants

AIRLUX I and AIRLUX II are combinable with the following rectangular light dome variants in modular system

- TOP-90 dome rooflight
- TOP-90 pyramid dome rooflight
- SUPER-TOP dome rooflight
- TOP-90 roof exit

### Product range for dome rooflights type AIRLUX

Order sizes	AIRLUX I	AIRLUX II
Bottom clear width upstand	GRP upstand, 30/50 cm high, heat insulated	GRP upstand, 50 cm high, heat insulated
cm x cm	Tangential-rolling ventilator	Axial ventilator
60 x 60	•	-
60 x 90	•	•
80 x 80	•	•
90 x 90	•	•
90 x 120	•	•
100 x 100	•	•
100 x 150	•	•
120 x 120	•	•
120 x 150	•	•
150 x 150	•	•

• = available - = not available

**Note:** further dimensions available upon request