

JET dome rooflight type AIRLUX

VELUX®
Commercial


For rain-proof fan ventilation

JET AIRLUX I

Tangential-rolling ventilator

Technical data

- displacement volume (free-blowing): 230 m³/h
- motor speed: 1600 min⁻¹
- protection class: IP 00
- acoustic pressure: 50 dB/A
- voltage: 230V AC / 50Hz
- output: 45W
- power consumption: 0,35A

Exhaust device

- for small up to medium displacement volume
- designed for the use in dry rooms
(only suitable for industrial applications)

Installation takes place in the factory in the JET GRP upstands from up to 30 cm height. If requested it is also possible to install more rolling ventilators. A combination with heat insulated flange design is possible for 50 cm high JET GRP upstands. Operation takes place with an under plaster time control switch with locking device (accessories).

Note:

JET AIRLUX I and II are available with all JET dome rooflight variants.

JET AIRLUX II

Axial ventilator

Technical data

- displacement volume (free-blowing): 670 m³/h
- motor speed: 1.250 min⁻¹
- protection class: IP 44
- acoustic pressure: 54 dB/A
- voltage: 230V AC / 50Hz
- output: 45 W
- power consumption: 0,3 A
- high-volume device for ventilation and as well for exhaust, because the ventilator is reversible (rotation direction)

The complete installation is made in the factory, including electric operating and automatic closing louvre in JET GRP upstands with 50 cm height. If requested it is also possible to install more axial ventilators in an upstand. A combination with heat insulated flange design is not possible. The operation can take place with a stepless adjustable, electronic upon plaster speed regulator with reverser (accessories), that enables reversal of direction.

Note:

For the assembling it is important that an adequate distance to the water-bearing level is realized on site.

1.1.1
JET TOP-90

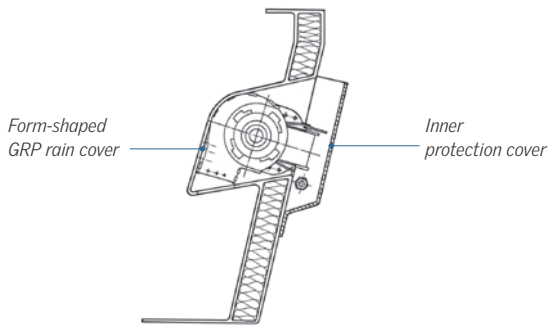
1.1.2
JET TOP-90 PLUS

1.1.3
JET TOP-90
sound reduction

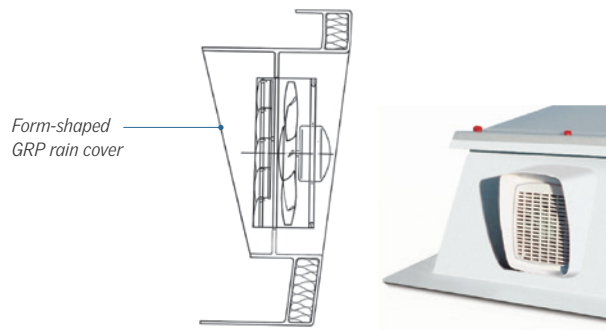
1.4.1
JET dome rooflight
safety concept

1.4.5
JET LK-DDS

JET AIRLUX I



JET AIRLUX II



Combinable variants

JET AIRLUX I and JET AIRLUX II are combinable with the following rectangular light dome variants in modular system:

- JET TOP-90 dome rooflight
- JET TOP-90 pyramid dome rooflight
- JET SUPER-TOP dome rooflight
- JET TOP-90 roof exit

Product range for dome rooflights type AIRLUX

Order sizes	JET AIRLUX I	JET AIRLUX II
Bottom clear width upstand	JET GRP upstand, 30/50 cm high, heat insulated	JET GRP upstand, 50 cm high, heat insulated
cm x cm	Tangential-rolling ventilator	Axial ventilator
60 x 60	•	-
60 x 90	•	•
80 x 80	•	•
90 x 90	•	•
90 x 120	•	•
100 x 100	•	•
100 x 150	•	•
120 x 120	•	•
120 x 150	•	•
150 x 150	•	•

• = available - = not available

Note: further dimensions available upon request